

Give the best back to earth

TECHNICAL DEFINITION

This rainwater recovery system collects water from rooves and stores it for use by the consumer thanks to a pumping device. The water recovered goes through a gutter descending filter before being drained into the tank via its filter whose filtration finesse is between 0.5 and 0.2 mm.

An anti-movement system stops the heaviest of fine particles that are decanted from going back into suspension. When the tank is full, excess water is sent back into the rainwater collection network or into a weir.

A pumping device will facilitate use (optional).

MAINTENANCE

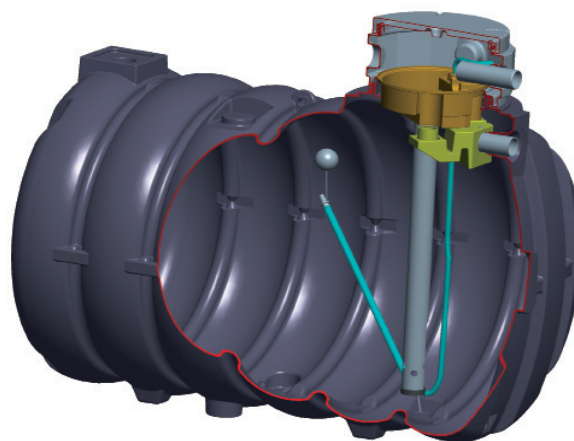
- Cleaning the inlet filter
- Checking the suction strainer
- Complete drainage after the summer period with cleaning and removal of deposits at the bottom of the tanks before it is refilled for the winter period.

BARRIER

If no self-supporting armoured concrete slab is to be installed and if there is a risk of vehicles passing nearby, the installation of a barrier around the area is highly recommended.

WATER NEEDS FOR A 4 PEOPLE FAMILY

watering	30 m ³ /year
WC	from 30 to 60 m ³ /year
floors washing/cleaning	3 m ³ /year
washing machine	from 11 to 18 m ³ /year
totaling between 74 et 111 m³/year	



BARRIER

If no self-supporting armoured concrete slab is to be installed and if there is a risk of vehicles passing nearby, the installation of a barrier around the area is highly recommended.

GUARANTEE

Biennial guarantee. The polyethylene tanks are guaranteed 15 years against corrosion.

Give the best back to earth

6022
2010/10/18

INSTALLATION

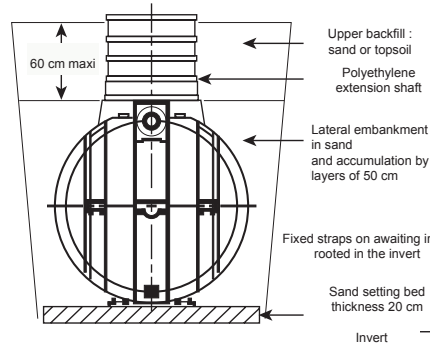
Beware: The altimetric positioning of the tank must be calculated in such a way that the level of the ground water is not above that of the tank's upper cone.

Dig a separate hole for each tank and if necessary, push down the ground water until after backfilling work for the device has been carried out. The walls must allow a space of about 50 cm around the tank. The bottom of the sloping which creates a barricade of earth must be at least 4 m around the tank.

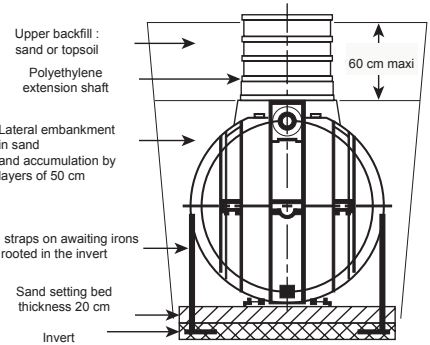
A self-supporting armoured concrete slab is to be laid just above the tank's upper cone once the lateral backfill has been completed and the tank filled. This slab must rest on stable ground which must be non-turned in the following cases:

- 1) If there is backfill in excess of 60 cm above the tank's upper cone.
- 2) If there is occasional overload due to vehicles driving less than 4 m away from the edge of the hole.
- 3) If extension shafts in concrete are to be used.
- 4) If there are overloads due to extreme climatic conditions.

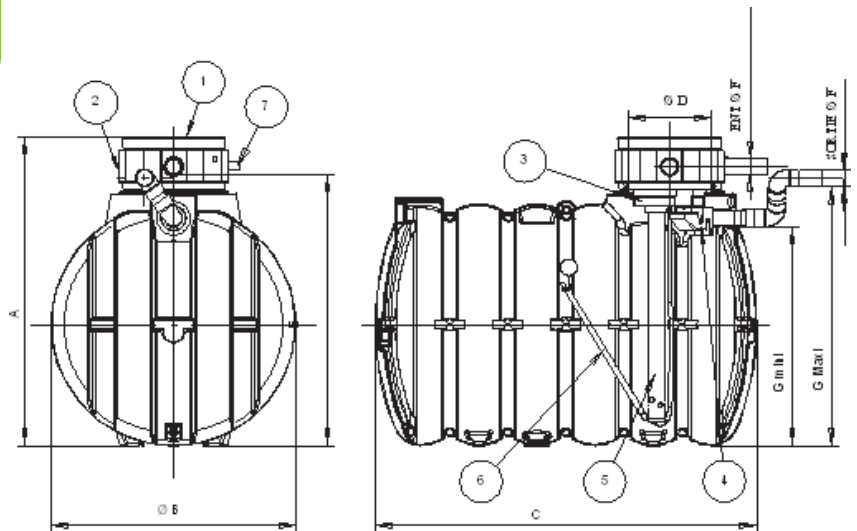
INSTALLATION ON A NON HYDROMORPHOUS, NON-CLAY SOILS, GROUND WITH NO WATER TABLE



INSTALLATION ON A HYDROMORPHOUS, CLAY SOILS, GROUND WITH A WATER TABLE



1. Screw-top cover
2. Recovery system
3. Input filter
4. Overflow
5. Anti-movement pipe
6. Suction device
7. Submerged pump cable outlet (if this option is chosen)



Reference	Volume (in liters)	A	Ø B	C	Ø D	E	Ø F	G mini	G maxi (see option ADN12)
CEP2/6022/03	3000	1854	1450	2265	490	1623	100	1310	1548
CEP2/6022/04	4000	1871	1810	2287	400	2100	100	1310	1548
CEP2/6022/05	5000	2006	1977	2196	400	2100	100	1445	1683
CEP2/6022/06	6000	2605	2202	2114	490	2375	100	2017	2225
CEP2/6022/08	8000	2605	2202	2700	490	2375	100	2017	2225

Options :

- CA3/10/3T/2 Set of 2 3-ton anchoring straps for tanks of 3, 4 or 5 m³
- CA3/10/3T/3 Set of 3 3-ton anchoring straps for tanks of 6 or 8 m³
- ADN12 Output level adaptor for areas with slight slope
- FDG12 Simplified gutter descending filter
- FDG14 Gutter descending filter with leaf removal system
- FGU11 UV filtering system
- PP58/03 Surface pump kit (see technical sheet 6032)
- PP58/11 Pump kit with manager (see technical sheet 6032)
- RH2/5025EP Manhole extension shaft Ø 500 height 250 mm (only one can be added)