

Give the best back to earth

5464
2010/04/28

DEFINITION

The monobloc VISIMOP 5464 D09PV in polyethylene, diameter 800 with 5 inlets – 1 outlet is a manhole with an access to clean and inspect it, it occasionally be visited by a person equipped with a harness. Fit for networks with free flows out of PVC Ø 160 and 200 and possibility to drill entries in diameters 125, 160 and 200.

Its resistance and simplicity of use are ideally suited to the requirements of building sites even if there are some access difficulties.

There are several optional accessories which can be fitted to the manhole:

- Precast concrete load distributor 400 KN, Ref. RCB 602-20
- Polyethylene adapter, height 100 mm, Ref. AHV610
- Cast iron cover 250 KN Ø 600 Ref. TF250/600R
- Cast iron cover 400 KN Ø 600 Ref. TF400/600R
- Connecting joint JVH for inlet
- Rubber joint, Ø 630, Ref. AD666-0630 for sealing between the manhole cone and the load distributor.

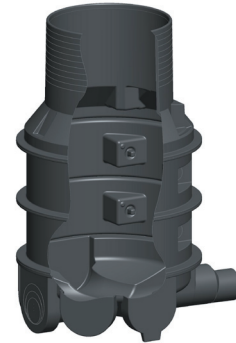
PVC ND	SIMOP crown saw references	SIMOP Joints
	unblocking and parasite	Reference
160	AD699-160	JVH160
200	AD699-200	JVH200
125 *	AD699-125	JVH125

*only on entry

OPERATION

In conformity with booklet 70 and developed in partnership with public works professionals and the project managers, the unit

- has a perfect seal,
- resists ground water (height 2 m) in relation to the guttering,
- has an anti-corrosive guarantee (H2S),
- is easily installed,
- a hydraulic profile (slope of 2%),
- retains no matters,
- guttering with 5 connection options.



INSTALLATION (see installation sheet P031)

From the block plan that you provided us, each part has been referenced and identified on the block plan.

Check the connection diameter and direction of your drains. Then proceed with cutting of the area chosen using a saw adapted to the suitable diameter.

Install the corresponding connecting joint.

Even out the bottom of the excavation then install the manhole, connect the inlet and evacuation drains. Cover with successive layers of compacted sand (backfill).

Position the seal between the cone and the load distributor if one is to be used.

Install either the load distributor with the roadway cast iron, or the polyethylene cover, according to the situation.

If ground water is present, consult our Engineering office.

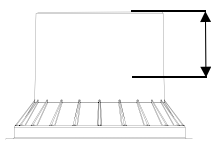
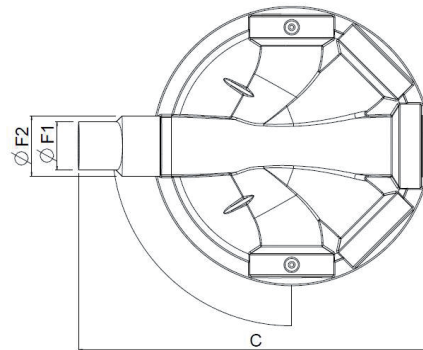
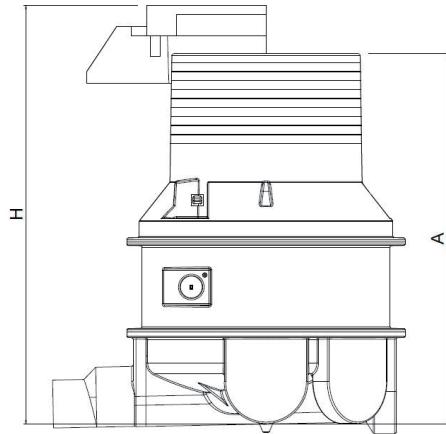
MAINTENANCE

Thanks to the quality of Polyethylene High Density, VISIMOP does not require particular maintenance.

GUARANTEE

The Visimop are guaranteed 15 years against corrosion.

STREAM OF WATER / TOP OF CAST IRON COVER



maxi. cutting 300 mm

OPTION

See data sheet 5496.

Beware : height difference of 35 mm between draining water at the input and the draining water at the output with an angle of 45°

REFERENCES	TECHNICAL CHARACTERISTICS PVC PIPE				
	A	C	Ø F1	Ø F2	H
5464D09PV-09	936	1180	160	200	1156
5464D09PV-12	1236	1180	160	200	1456
5464D09PV-15	1536	1180	160	200	1756
5464D09PV-18	1836	1180	160	200	2056
5464D09PV-21	2136	1180	160	200	2356
5464D09PV-24	2436	1180	160	200	2656
5464D09PV-27	2736	1180	160	200	2956